

## MOTORS FOR SCREWDRIVING APPLICATIONS WITH SLIP-TRK CLUTCH

SALGS FR SERIES - Non-reversible

WATT: 480 / CONSUMPTION: 870 NI/1'

Data measured at pressure of 6 bar - Minimum supply hose diameter: 10 mm

Data sheet  
**SALGS2D FR**



1. 1/4" hexagonal bit holder connection
2. Grip zone
3. Air inlet
4. Air exhaust

### Technical specification

|                         |            |
|-------------------------|------------|
| Right rotation - Model  | SALGS2D FR |
| Right rotation - Code   | 8604302    |
| No-load speed - rpm/min | 2000       |
| Torque Nm - Nm          | 9,0        |
| Screws tightening       | M4-M5      |
| Clutch spring           | Neutral    |
| Clutch unit             | 7311143    |

### Form features

Allow the tightening torque to be adjusted through a friction clutch. Output shaft with axial sliding (3 mm), on request without scrolling. Standard bit holder coupling 1/4" (6.35 mm).

# MOTORS FOR SCREWDRIVING APPLICATIONS WITH SLIP-TRK CLUTCH

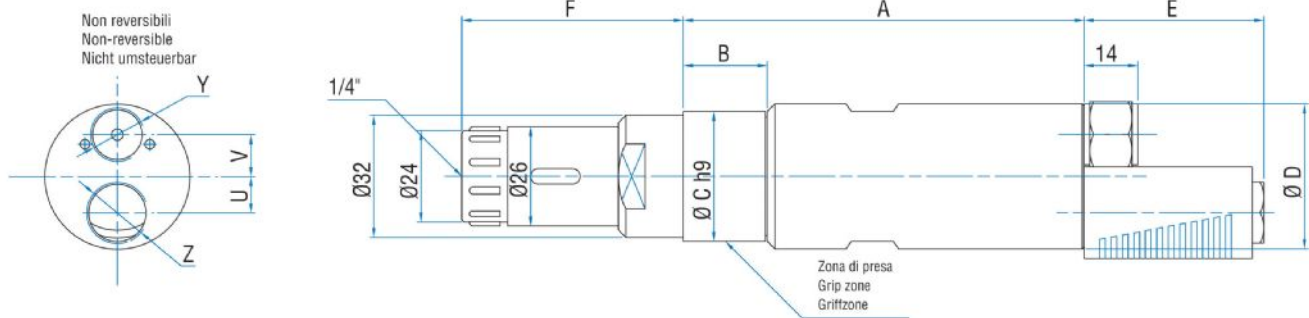
Data sheet  
**SALGS2D FR**

SALGS FR SERIES - Non-reversible

WATT: 480 / CONSUMPTION: 870 NI/1'

Data measured at pressure of 6 bar - Minimum supply hose diameter: 10 mm

## Overall dimensions



| Model         | Code    | A     | B  | C  | D  | E  | F    | U  | V  | Y    | Z    |
|---------------|---------|-------|----|----|----|----|------|----|----|------|------|
| SALGS2D<br>FR | 8604302 | 143,5 | 29 | 40 | 42 | 47 | 56,9 | 11 | 13 | 1/4" | 3/8" |